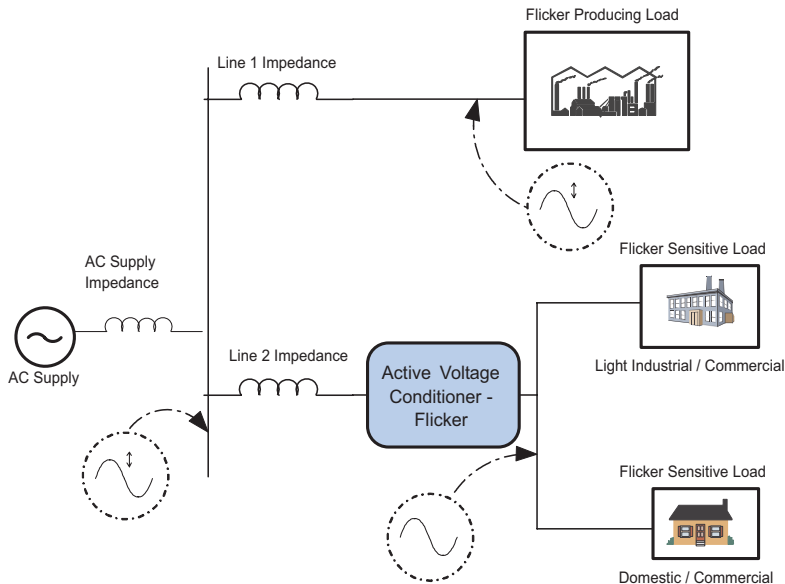


Flicker Solutions

**Broadbased and localized flicker reduction solutions .
Capacitor free, compact and effective - up to 245kV class**

Local Flicker Solution



Description

Omniverter offers a unique solution to local flicker correction from Vectek Electronics. It is very compact, cost effective and easy to apply.

It is applicable where the flicker is affecting a few customers whose combined load is significantly less than that of the flicker producer.

Traditional solutions correct flicker at the Point of Common Coupling (PCC) see overleaf. This solution corrects only those loads affected by the flicker.

A special Active Voltage Conditioner (AVC-F) is sized for the site conditions and the affected loads. This effectively protects the load from upstream flicker at varying frequencies.

BENEFITS OF LOCAL SITE CORRECTION

- Extremely Cost effective
- Compact foot print
- Easy to eliminate flicker completely
- Unbalanced voltage correction
- Voltage harmonic reduction
- Fast (sub-cyclic) response
- CAPACITOR FREE
- Simple user controls
- Can be connected up to 38kV class
- Outdoor installation
- Short circuit protected
- Extensive diagnostics
- Limited voltage sag correction (options for complete correction)
- Voltage event log
- PQ Metering

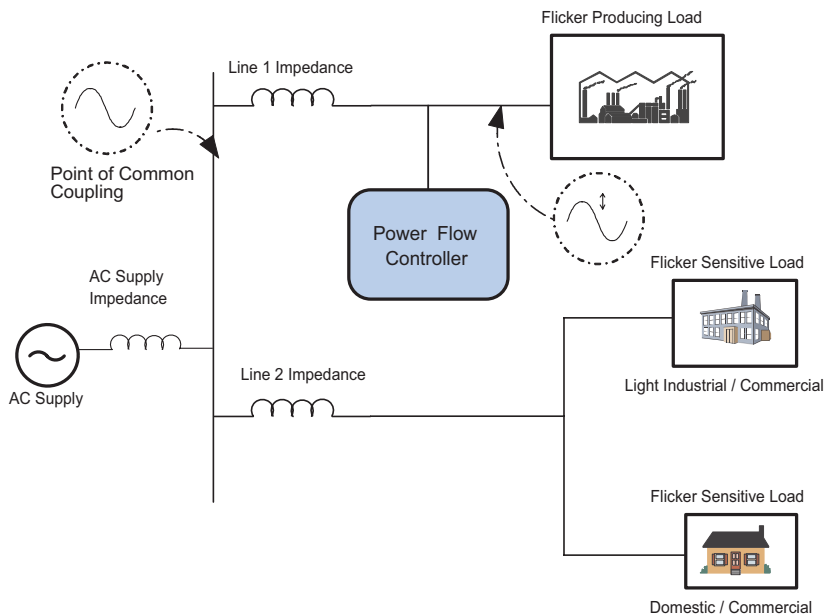
Options

- Multiple voltages and levels of correction available
- Indoor NEMA 1 optional
- Full voltage correction
- Low voltage, load dedicated units available for indoor installation

Point of Common Coupling Flicker Reduction Systems

POWER FLOW CONTROL

Capacitor free, compact and effective



Description

Omniverter offers a **capacitor free** solution from Vectek Electronics to provide Pst reduction at the Point of Common Coupling (PCC). It is compact, cost effective and easy to apply.

This is accomplished using a Power Flow Controller (PFC-F). It is an active VAR conditioner that targets specific vectors and frequencies to ensure maximum reduction of Pst at low cost.

It is very effective at high flicker rates that cannot usually be

handled with capacitor switching solutions.

It is applicable in situations where the flicker is affecting a large number of customers.

The PFC is not affected by changing loads or frequencies. It is possible to eliminate all flicker or as much as is required to meet minimum requirements.

The PFC is transformer coupled to the network and can be connected up to 245kV class.

Options

- Multiple voltages and levels of Pst correction available
- Indoor NEMA 1 optional
- Deep Sag correction with addition of Storage
- Harmonic Correction

BENEFITS OF POWER FLOW CONTROL

- CAPACITOR FREE
- Small foot print required
- Possible to eliminate flicker completely
- High frequency flicker correction
- Extremely Cost effective
- Harmonic reduction (option)
- Fast (sub-cyclic) response
- Redundant modules
- Simple user controls
- Can be connected up to 245kV class
- Outdoor or indoor installation
- Short circuit protected
- Extensive diagnostics
- Sag correction (options for complete correction)
- Voltage event log
- PQ Metering



570 Hood Road
Suite 20
Markham, Ontario
L3R 4G7 Canada
Tel: 416 849-2299
Fax: 416 849-2298

info@omniverter.com
www.omniverter.com